

karter.

ELEGANCE STAND



SPECIFICATIONS

SKU : KMEB

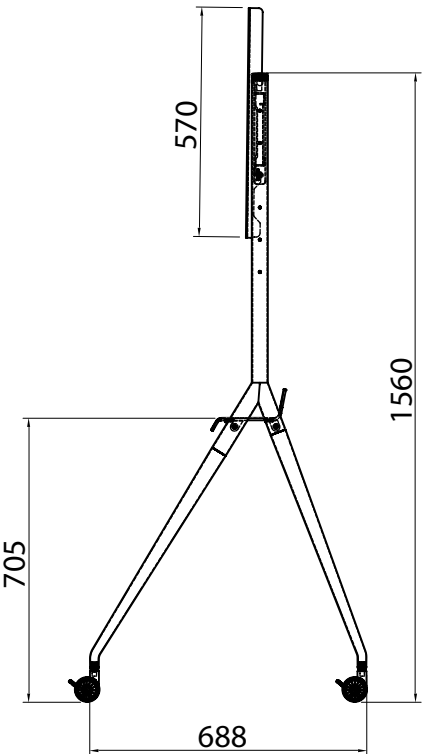
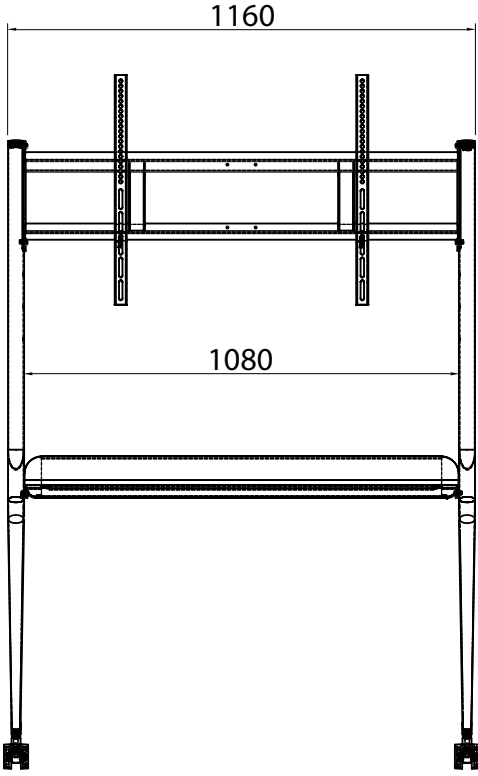
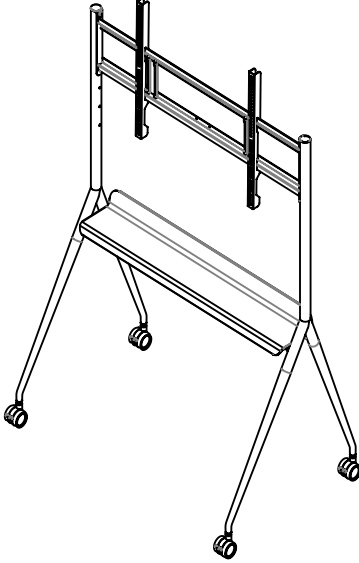
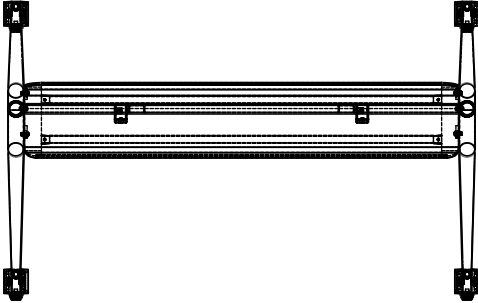
The Karter Elegance just became more Elegant! With a tapered 'ankle' and black finish the design refresh of our most popular mobile stand makes the Elegance Mobile Stand the perfect choice for the design conscious. Paired with a black display the Elegance becomes a beautiful mobile extension, suitable for all dynamic huddle and training spaces. Features a device/pen shelf, designer lockable castors & cable management straps. Fits 55" - 86" touchscreens and displays.

STAND DIMENSIONS	1160 (W) x 688 (H) x 1560 (D) mm
STAND WEIGHT	23Kg
PACKED DIMENSIONS	1240 (W) x 800 (H) x 150 (D) mm
PACKED WEIGHT	24.5Kg
FITS SCREEN SIZE	55" - 86"
VESA	0~1100 x 0~800 mm
SCREEN LOAD CAPACITY	85 kg
MOBILITY	4 x lockable castors
FINISH, COLOUR & CONSTRUCTION	Black matte powdercoat steel
FEATURES	Slimline design, handy device/pen shelf, cable management ties

karter.

ELEGANCE
STAND

SKU : KMEB



*All information and specs contained on this document are correct at time of publication